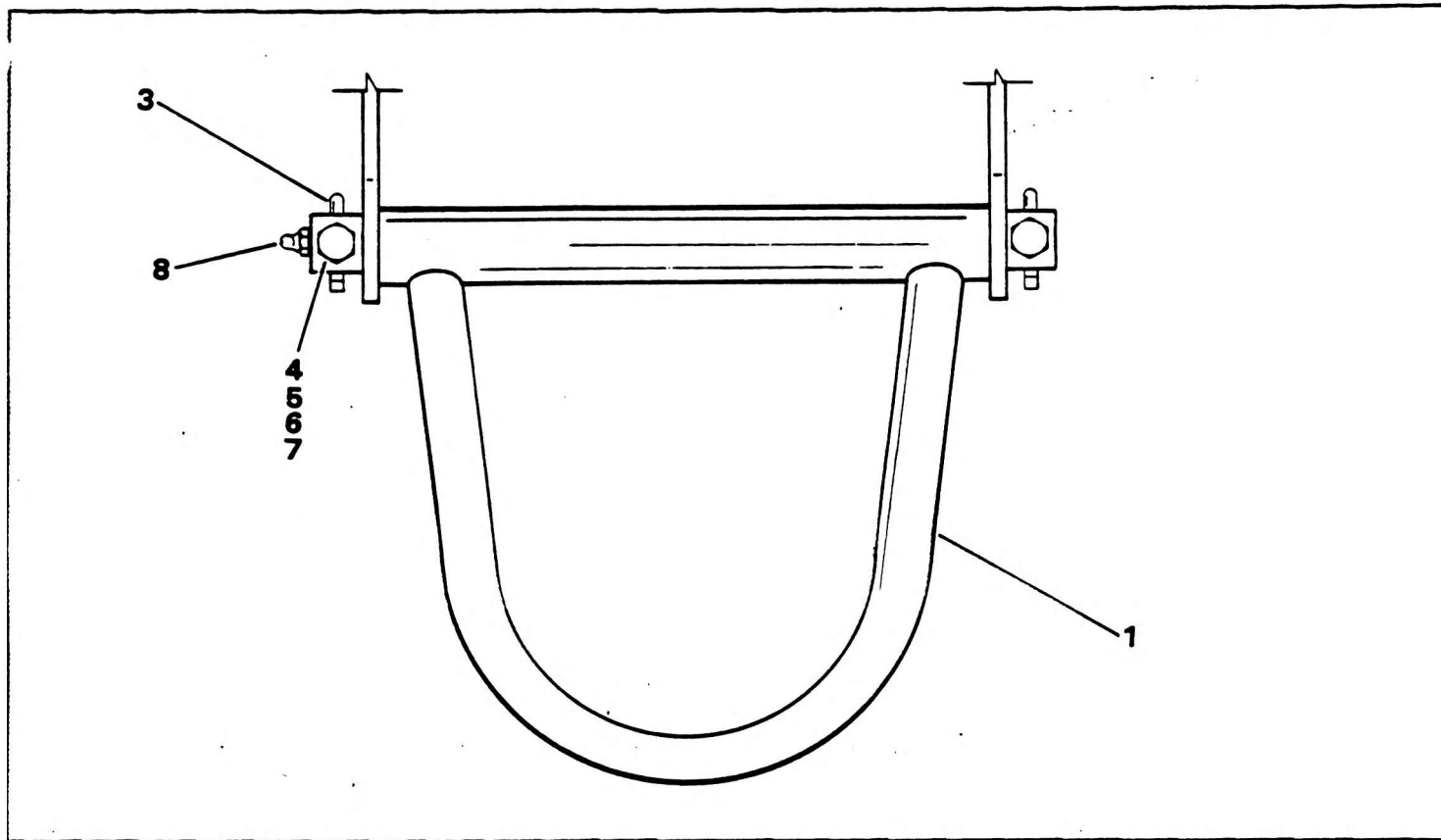


HOOKBLOCK/HEADACHE BALL TIEDOWN INSTALLATION

GROVE



NO.	PART NO.	QTY	DESCRIPTION	NO.	PART NO.	QTY	DESCRIPTION
1	2-170-1-00142	2	LOOP				
2	6-810-002131	2	SHAFT				
3	7-690-162810	2	PIN, COTTER				
4	7-112-151050	2	BOLT, HEX 5/16"-18 NC X 1 1/4"-GRD 2				
5	7-950-150050	2	LOCKWASHER 5/16" MED				
6	7-950-150141	2	WASHER 5/16" NARROW				
7	7-660-150000	2	NUT, HEX 5/16"-18 NC - GRD A				
8	7-440-000000	2	FITTING, GREASE 1/8" NPT				